

PLEASE CHECK WWW.MOLEX.COM FOR LATEST PART INFORMATION

Part Number: [0511120800](#)
Status: **Active**
Description: 2.50mm (.098") Pitch Wire-to-Wire Plug Housing, With Retainer and Optional Panel Mount, 8 Circuits

Documents:

[Drawing \(PDF\)](#) [RoHS Certificate of Compliance \(PDF\)](#)
[Product Specification PS-51111-001 \(PDF\)](#)

Agency Certification

CSA LR19980
 UL E29179

General

Product Family Crimp Housings
 Series [51112](#)
 Product Name N/A

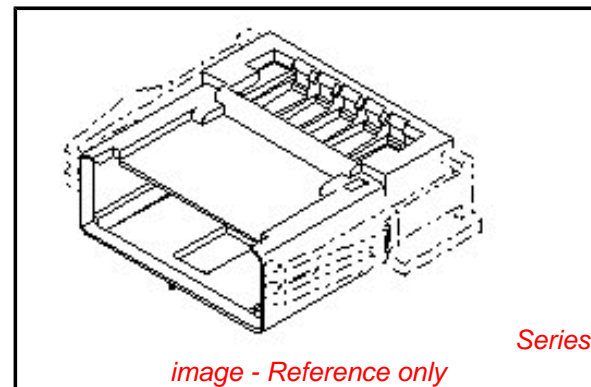
Physical

Circuits (maximum) 8
 Color - Resin Natural
 Flammability 94V-0
 Gender Male
 Glow-Wire Compliant No
 Material - Resin Polyester
 Number of Rows 1
 Packaging Type Bag
 Panel Mount No
 Pitch - Mating Interface (in) 0.098 In
 Pitch - Mating Interface (mm) 2.50 mm
 Stackable No
 Temperature Range - Operating -40°C to +105°C

Material Info

Reference - Drawing Numbers

Product Specification PS-51111-001, RPS-51111-007
 Sales Drawing SD-51112-003



EU RoHS

ELV and RoHS Compliant
REACH SVHC Contains SVHC: No
Halogen-Free Status
Not Reviewed

China RoHS



Need more information on product environmental compliance?

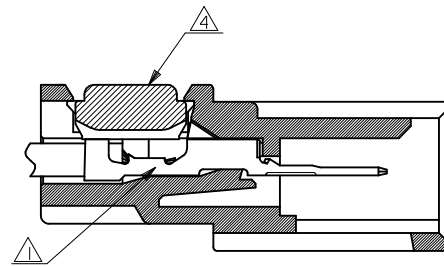
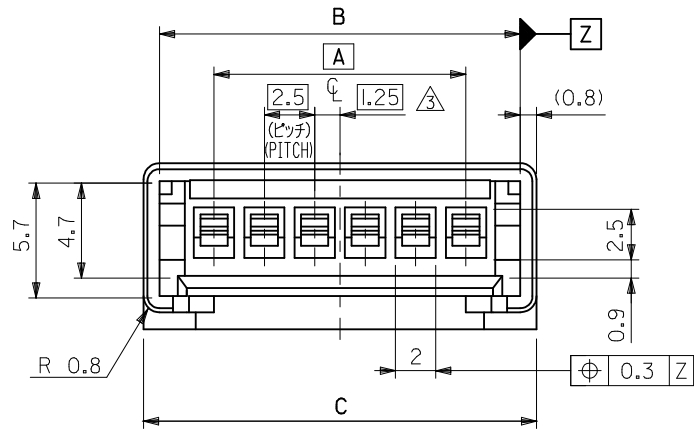
Email productcompliance@molex.com
 For a multiple part number RoHS Certificate of Compliance, [click here](#)

Please visit the [Contact Us](#) section for any non-product compliance questions.

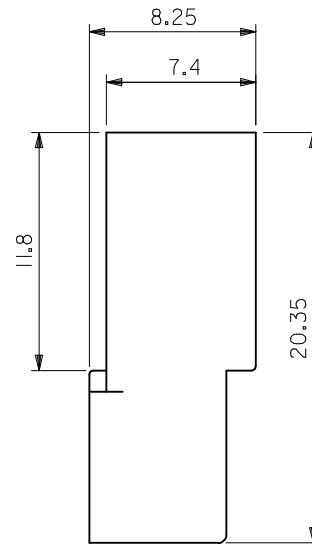
Search Parts in this Series
[51112Series](#)

Mates With
[51111](#) , [51111wr](#)

Use With
[50398](#) , [51113](#)

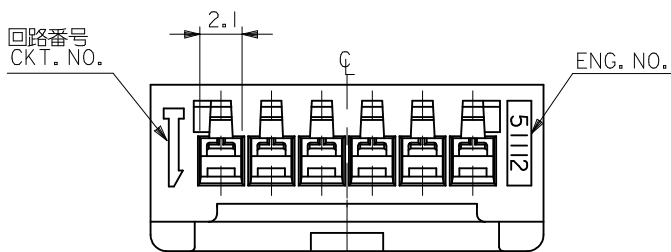
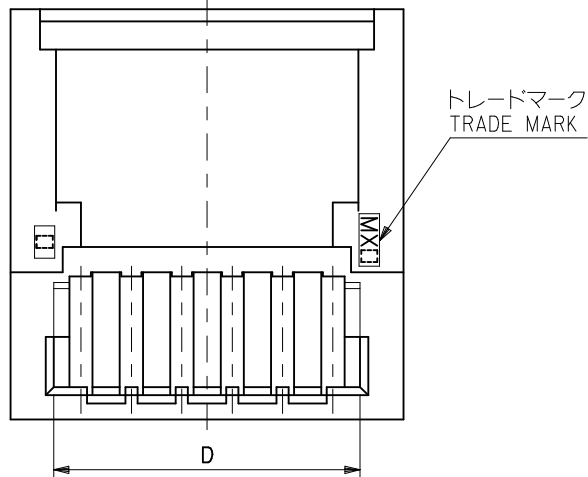


ターミナル及びリテーナー装着状態図
TERMINAL & RETAINER ASSEMBLY DRAWING



注記 NOTES

- △ 適合ターミナル：50398シリーズ
APPLICABLE TERMINAL：50398 SERIES
- 2. 嵌合相手：51111シリーズ
MATE WITH：51111 SERIES
- △ 偶数極の製品に適用。
APPLY EVEN CIRCUIT PRODUCTS.
- △ 適合リテーナー：51113シリーズ
APPLICABLE RETAINER：51113 SERIES



材料 MATERIAL PBTP, UL94V-0 (白色 WHITE)

37.45	42	40.4	35	51112-1500	15
29.95	34.5	32.9	27.5	↑ -1200	12
22.45	27	25.4	20	-0900	9
19.95	24.5	22.9	17.5	-0800	8
17.45	22	20.4	15	-0700	7
14.95	19.5	17.9	12.5	-0600	6
12.45	17	15.4	10	-0500	5
9.95	14.5	12.9	7.5	-0400	4
7.45	12	10.4	5	↓ -0300	3
4.95	9.5	7.9	2.5	51112-0200	2
D	C	B	A	ENG. NO.	NO. OF CKT.

REVISED EC NO: J2009-1394 DRWN: YOSHIDAM 2008/12/18 CHKD: THARUYAMA 2008/12/18 APPR: NUKITA 2009/01/15	GENERAL TOLERANCES (UNLESS SPECIFIED)		DIMENSION STYLE MM ONLY	SCALE 4:1	DESIGN UNITS METRIC	THIRD ANGLE PROJECTION
	10 UNDER	±0.2	DRAWN BY K. TOJO	DATE '94/02/02	TITLE 2.5 W/W CONN PLUG HSG WITH RETAINER	
	10 OVER 30 UNDER	±0.25	CHECKED BY S. KUNISHI	DATE '94/06/22		
	30 OVER	±0.3	APPROVED BY M. FUKUSHIMA	DATE '94/06/22	MOLEX INCORPORATED	
ANGULAR ±3 °	DRAFT WHERE APPLICABLE MUST REMAIN WITHIN DIMENSIONS	SEE TABLE	MATERIAL NO.	DOCUMENT NO. SD-5112-003	SHEET NO. 1 OF 1	
			SIZE A3	THIS DRAWING CONTAINS INFORMATION THAT IS PROPRIETARY TO MOLEX INCORPORATED AND SHOULD NOT BE USED WITHOUT WRITTEN PERMISSION		